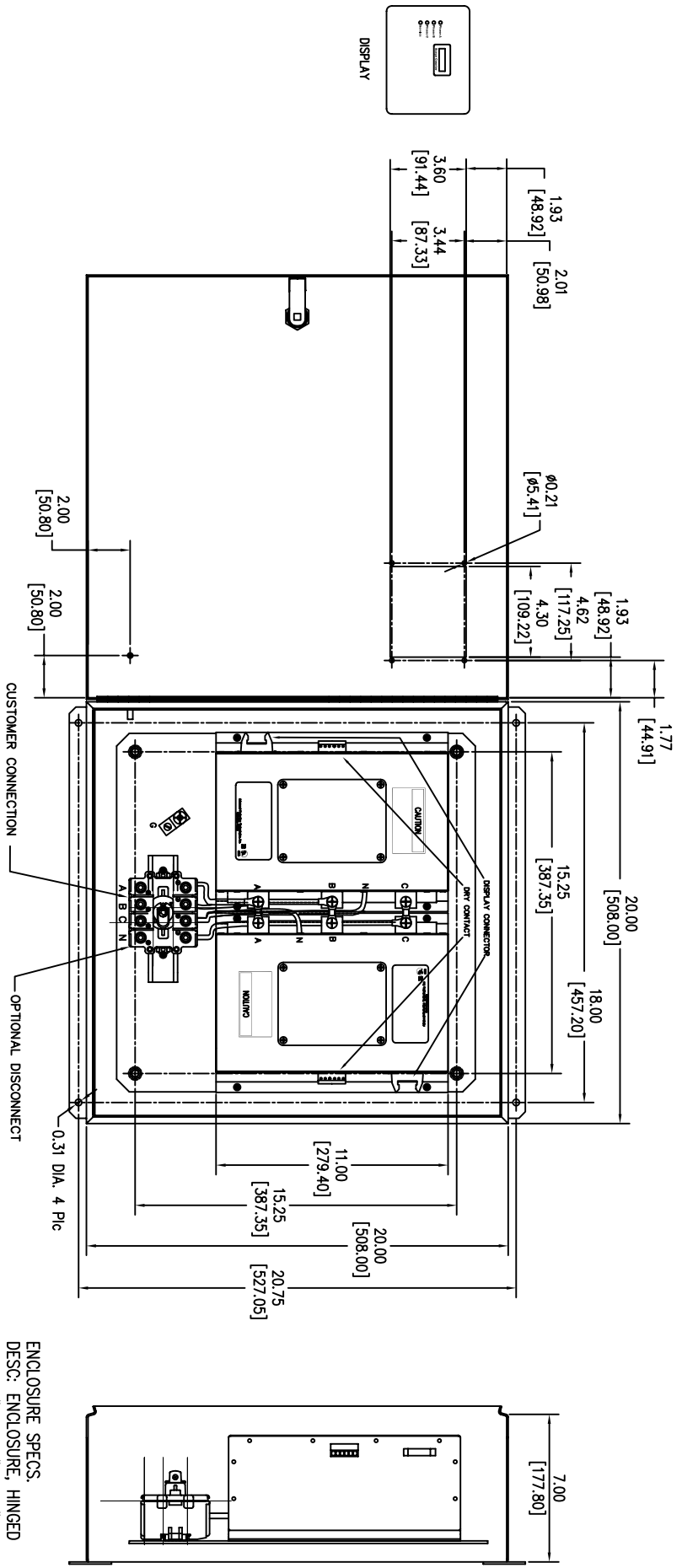


**SURGE PROTECTIVE DEVICE (SPD)
WEIGHTS & DIMENSIONS
NEMA RATING: 1/12/3R/4**



REV.	BY	DATE	APPROVED

ENCLOSURE SPECS.
 DESC: ENCLOSURE, HINGED
 DIM: 20"H x 20"W x 7"D
 FINISH: POWDERCOAT ANSI 61 GRAY
 MAT: CARBON STEEL, 14 GAUGE
 NEMA RATING: 1/12/3R/4
 DEVICE WEIGHT: 51.95LBS. (23.56KG.)

ELECTRONIC COPY IS UNCONTROLLED WHEN PRINTED. ALWAYS
 REFER TO LATEST REVISION IN USE.

MATERIAL:		FINISH:	
SPECIFICATION:		SPECIFICATION:	
MANUFACTURER:	MODEL:	MANUFACTURER:	MODEL:
DATE:	REV:	DATE:	REV: