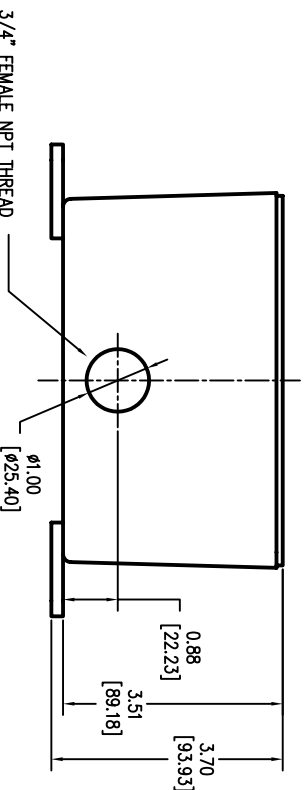
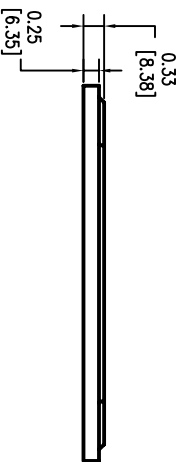
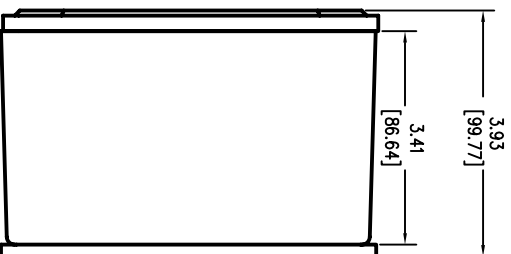
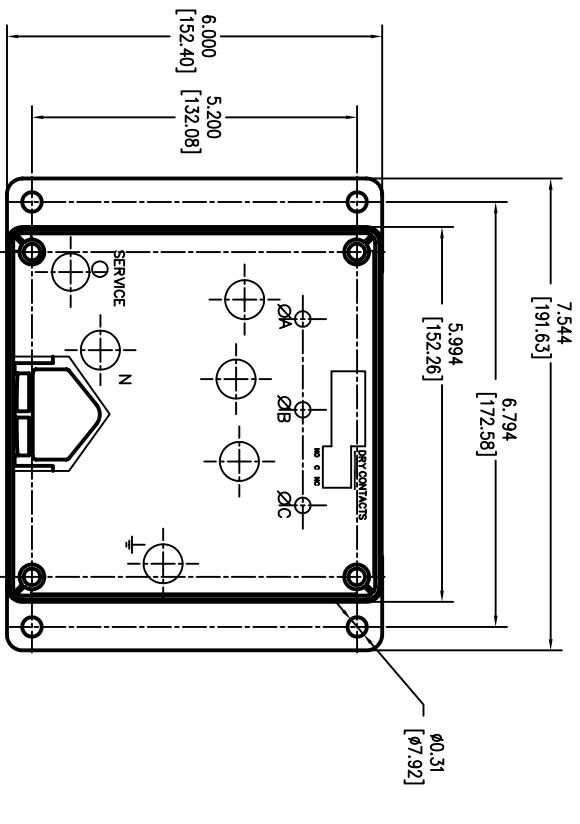
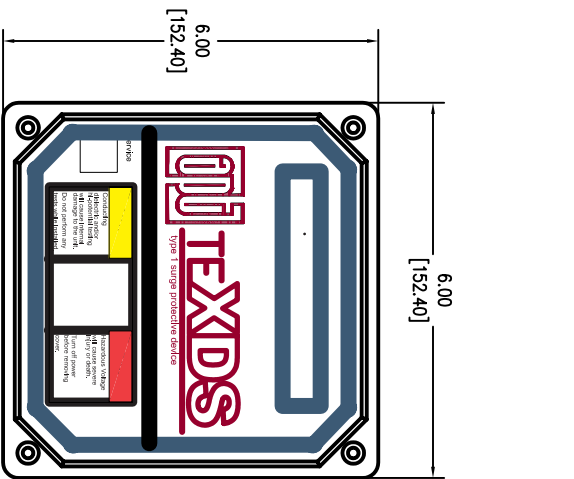


SURGE PROTECTIVE DEVICE (SPD)
WEIGHTS & DIMENSIONS
NEMA RATING: 4X NON METALLIC

REV	ES	QTY	DATE	APPROVED



ENCLOSURE SPECS.:
 DESC: NON-METALLIC ENCLOSURE
 DIM: 6.00"H x 6.00"W x 3.93"D
 MAT: POLYCARBONATE (V2 & F1)
 FINISH: GRAY
 NEMA RATING: 4X
 DEVICE WEIGHT: 4.95LBS. (2.24KG.)

ELECTRONIC COPY IS UNCONTROLLED WHEN PRINTED. ALWAYS VERIFY LATEST REVISION IN USE.

MATERIAL: _____		FINISH: _____	
SPECIFICATION: _____		SPECIFICATION: _____	
DESIGNER: _____	DATE: _____	DESIGNER: _____	DATE: _____
APPROVER: _____	DATE: _____	APPROVER: _____	DATE: _____
REV: _____	DATE: _____	REV: _____	DATE: _____
SIZE: _____	DATE: _____	SIZE: _____	DATE: _____
SECT: _____	DATE: _____	SECT: _____	DATE: _____
NO. _____	DATE: _____	NO. _____	DATE: _____
REV: _____	DATE: _____	REV: _____	DATE: _____
SECT: _____	DATE: _____	SECT: _____	DATE: _____
NO. _____	DATE: _____	NO. _____	DATE: _____
REV: _____	DATE: _____	REV: _____	DATE: _____
SECT: _____	DATE: _____	SECT: _____	DATE: _____
NO. _____	DATE: _____	NO. _____	DATE: _____